

## Hood Peraria inox

Hoods

Code: 2522 101



### DETAILS

Material Stainless steel

---

Texture Brushed in line

---

Energy class A++

---

Hood type Ceiling suction hood

---

Built-in hole 476 x 976 mm

---

Air exhaust hole 222 x 90 mm

---

Ceiling – false ceiling distance min 184 mm / max 250 mm

---

Motors Brushless

---

Motor power 165 W

---

Suction speed 4 operating speeds

---

Type of commands Remote control

---

Operation Suction hood (filtering mode with optional carbon filters)

---

Grease filters 2 grease filters

---

Notes: Optional:  
Carbon filter code 9700 592

---

## FEATURES

Brushless motor State-of-the-art Brushless motors allow high air flow rates while maintaining a low energy consumption. Furthermore, they have an almost never-ending duration.

---

Minimum overall Foster ceiling-mount ventilation systems require little space. The icon appears next to models that require less than 20 cm between the concrete ceiling and the countertop.

---

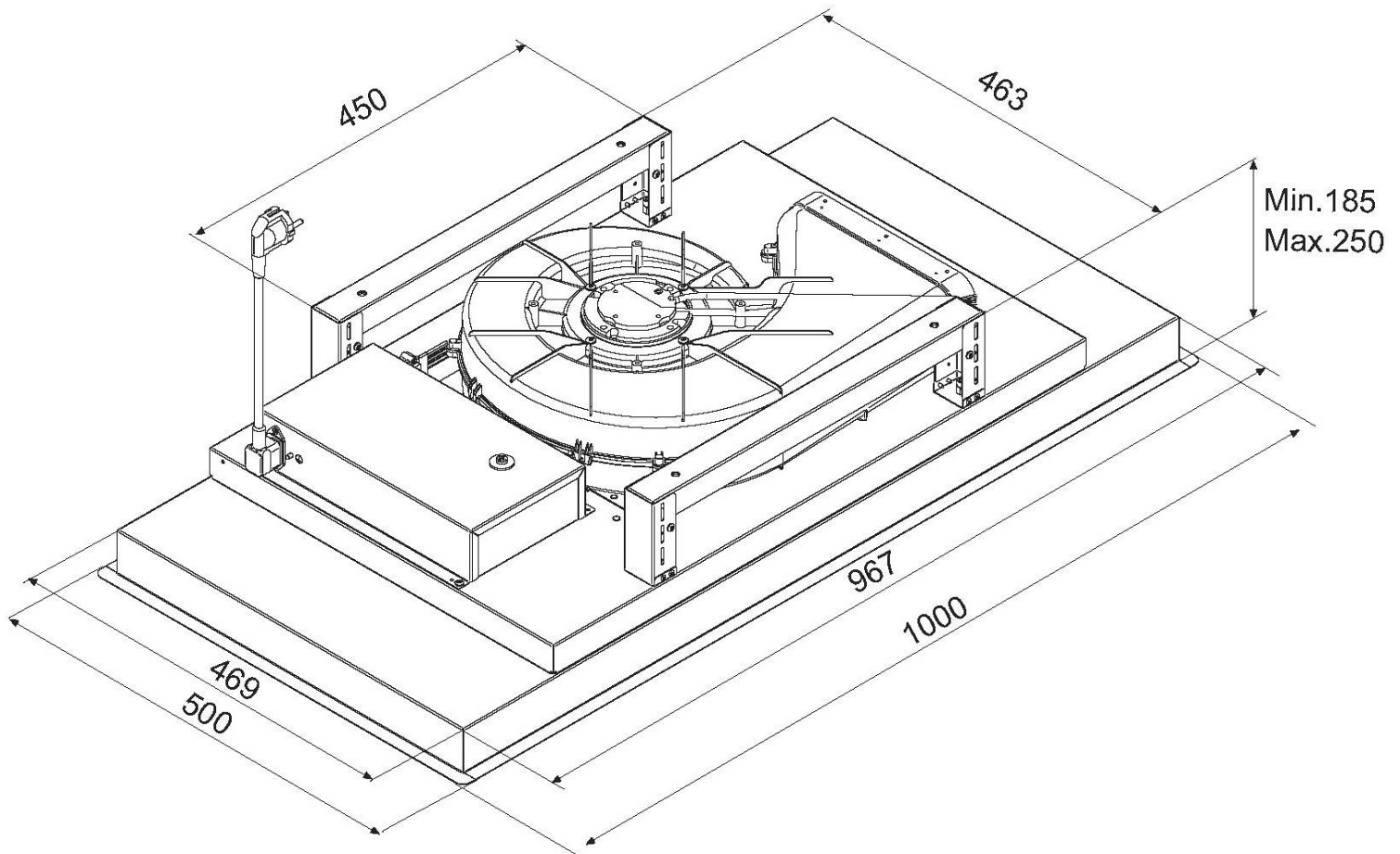
Perimetric aspiration The perimeter suction is a feature common to many Foster hoods. The filters are hidden by steel- or crystal plates and the suction occurs along their perimeter. This has aesthetic advantages but also functional ones: the cleaning is easier, the suction power and noise-level are improved. The depression which occurs in the perimeter area facilitates in fact the suction of the particles composing the fumes.

---

Remote control The ceiling suction systems and the Maya hoods are equipped with a remote control to easily activate all their functions from any position.

---

## TECHNICAL DATA



## GALLERY



## OPTIONAL ACCESSORIES



**White tube - rectangular section**  
9700 532



**White connector - rectangular section**  
9700 533



**White Horizontal 90° Corner connector - rectangular section**  
9700 534



**White Vertical 90° Corner connector - rectangular section**  
9700 535



**Horizontal 15° Corner connector - rectangular section**  
9700 536